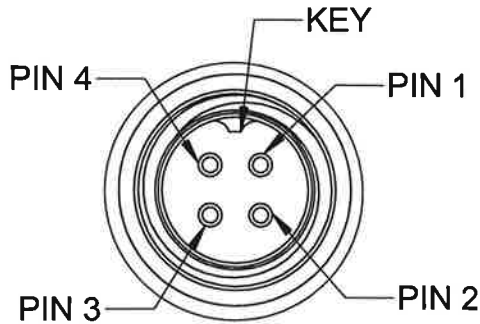


THE INFORMATION CONTAINED IN THIS DRAWING IS THE SOLE PROPERTY OF DYTRAN INSTRUMENTS INC. ANY REPRODUCTION IN PART OR AS A WHOLE WITHOUT THE WRITTEN PERMISSION OF DYTRAN INSTRUMENTS, INC. IS PROHIBITED

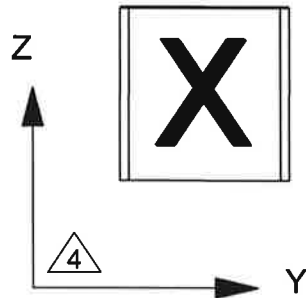
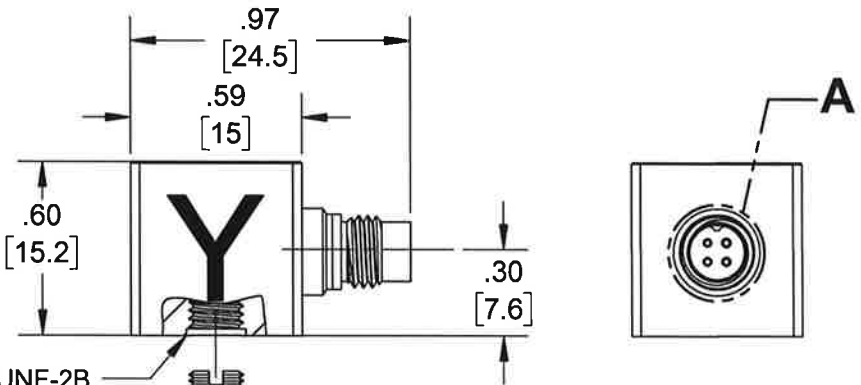
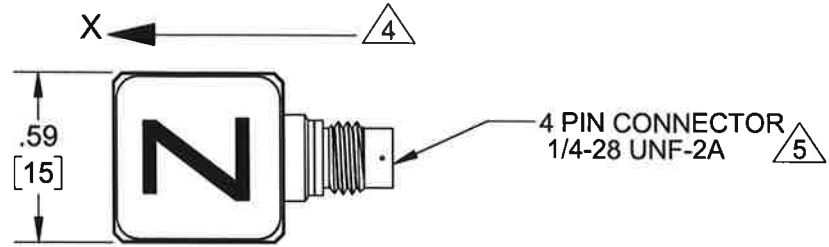
REVISIONS

REV.	ECN	DESCRIPTION	BY/DATE	CHK	APPR
A	10749	INITIAL RELEASE	EM 07/18/16	RA	K



DETAIL A

CONNECTOR PIN OUT
 PIN 1 GND RETURN, COMMON
 PIN 2 SIG/PWR AXIS 2 (Y)
 PIN 3 SIG/PWR AXIS 3 (Z)
 PIN 4 SIG/PWR AXIS 1 (X)



5 MATES WITH DYTRAN CABLE 6967AXX (XX=LENGTH IN FEET)

4 ARROWS INDICATE ACCELERATION DIRECTION FOR POSITIVE OUTPUT.

3. HOUSING AND CONNECTOR MATERIAL: TITANIUM

2. WEIGHT: 15 GRAMS MAX.

1. ENVIRONMENTAL SEAL: HERMETIC

NOTES: UNLESS OTHERWISE SPECIFIED

USED ON	NEXT ASSY
APPLICATION	
THIRD ANGLE PROJECTION USA	

UNLESS OTHERWISE SPECIFIED:
 INTERPRET DIM & TOL PER ASME Y14.5M - 1994.
 REMOVE BURRS.
 COUNTERSINK INTERNAL THDS 90° TO MAJOR DIA.
 CHAM EXT THDS 45° TO MINOR DIA.
 THD LENGTHS AND DEPTHS ARE FOR MIN FULL THDS.
 THDS PER MIL-S-7742.
 DIMENSIONS APPLY AFTER FINISHING.
 ALL MACHINED SURFACES.
 TOTAL RUNOUT WITHIN .005.
 BREAK SHARP EDGES .005 TO .010.
 MACHINED FILLET RADII .005 TO .015.
 WELDING SYMBOLS PER AWS A2.4.
 ABBREVIATIONS PER MIL-STD-12.

UNLESS OTHERWISE SPECIFIED:
 DIMENSIONS ARE IN INCHES. DIMENSIONS IN BRACKETS [] ARE IN MILLIMETERS
 TOLERANCES ARE:
 INCHES METRIC ANGLES
 .XX ± .03 .X ± 0.8 ± 1°
 .XXX ± .010 .XX ± 0.25

MATERIAL
 FINISH
 DO NOT SCALE DRAWING

CONTRACT NO.



TITLE:
OUTLINE/INSTALLATION DRAWING, 3543A

APPROVALS		DATE
ORIG	LN	02/01/16
CHK	RA	07/21/16
APP	RT	07/21/16
APP		

SIZE A	CAGE CODE 2W033	DWG. NO. 127-3543A	REV A
SCALE: 2:1	SOLIDWORKS	SHEET 1 OF 1	

3543A

PERFORMANCE SPECIFICATION

DOC NO
PS3543A

Accelerometer, Triaxial, IEPE

REV C, ECN 12996, 10/14/16



- GROUND ISOLATED
- HERMETICALLY SEALED
- STUD MOUNT

	ENGLISH		SI	
Weight, Max.	0.5	oz	15	grams
Mounting	10-32 Stud Mount		10-32 Stud Mount	
Connector [1]	4-pin		4-pin	
Type				
Material	Titanium		Titanium	
Housing	Titanium		Titanium	
Material				
Isolation	Case Isolated		Case Isolated	
Sensing Element	Piezoelectric		Piezoelectric	
Material				
Element	Shear		Shear	

PHYSICAL

Weight, Max.

Mounting

Connector [1]

Type

Material

Housing

Material

Isolation

Sensing Element

Material

Element

PERFORMANCE

Sensitivity, ±10% [2]

Acceleration Range, ±

Frequency Range, ±5%

Frequency Range, ±10%

Frequency Range, ±15%

Resonance Frequency

Linearity [3]

Transverse Sensitivity, Max.

Noise floor

Spectral Noise

1Hz

10Hz

100Hz

1000Hz

10000Hz

ELECTRICAL

Supply Current Range [4]

Compliance Voltage Range

Output Impedance, Typ.

Output Bias Voltage

Discharge Time Constant

Ground Isolation

ENVIRONMENTAL

Shock Max.

Vibration Max.

Operating Temperature

Seal

Base Strain Sensitivity

100	mV/g	10.2	mV/m/s ²
50	Gpeak	491	m/s ² peak
2 to 2000	Hz	2 to 2000	Hz
1.3 to 3000	Hz	1.3 to 3000	Hz
1 to 5000	Hz	1 to 5000	Hz
>25	kHz	>25	kHz
±1	% F.S.	±1	% F.S.
6	%	6	%
0.0008	Grms	0.008	m/s ² rms
300	µGrms/√(Hz)	2943	um/s ² rms/√(Hz)
60	µGrms/√(Hz)	588.6	µm/s ² rms/√(Hz)
20	µGrms/√(Hz)	196.2	um/s ² rms/√(Hz)
10	µGrms/√(Hz)	98	um/s ² rms/√(Hz)
10	µGrms/√(Hz)	98	um/s ² rms/√(Hz)

2 to 20	mA	2 to 20	mA
+18 to +30	VDC	+18 to +30	VDC
100	Ω	100	Ω
+7 to +9	VDC	+7 to +9	VDC
0.25 to 2.0	sec	0.25 to 2.0	sec
≥10	GΩ	≥10	GΩ

1500	g pk	14715	m/s ²
500	g pk	4905	m/s ²
-60 to +320	°F	-51 to +160	°C
Hermetic		Hermetic	
0.002	g/µε	0.02	m/s ² /µε

This family also includes:

Model	Sensitivity (mV/g)	Range (Gpeak)	Noise Resolution (Grms)	Temp Range (°F)	Time Constant (sec)

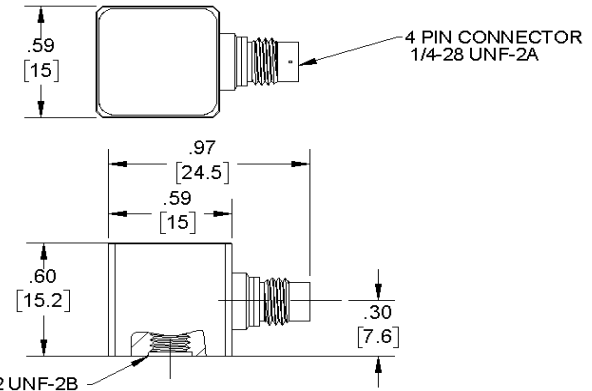
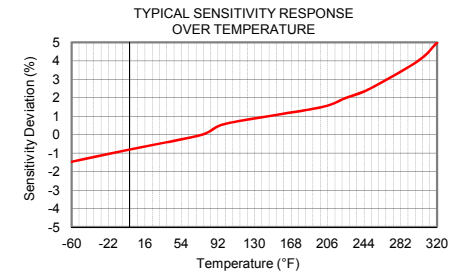
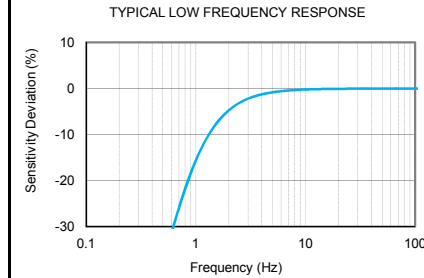
Please refer to the performance specifications of the products in this family for detailed description.

Supplied Accessories:

- 1) Accredited Calibration Certificate (ISO 17025).
- 2) Mounting stud model 6200, (10-32 to 10-32).

Notes:

- [1] Glass to Metal Seal connector. Mates with Dytran cable Model 6967AXX (XX=length in feet).
- [2] Measured At 100 Hz, 1 Grms per ISA RP 37.2.
- [3] Measured using zero-based best straight-line method.
- [4] Do not apply power to this device without current limiting, 20mA Max, to do so will destroy the integral IC amplifier.



Units on the line drawing are in inches, units in brackets are in millimeters. Refer to 127-3543A for more information.



21592 Marilla Street, Chatsworth, California 91311 Phone: 818.700.7818 Fax: 818.700.7880 www.dytran.com
For permission to reprint this content, please contact info@dytran.com